

DT ^{by} DARITECH Roller Press

- DT 34" 2 Roller Weighted
- DT 34" 2 Roller Air Bag
- DT 22" 4 Roller
- DT 42" 4 Roller
- DT 24" 2 Roller
- DT 72" 2 Roller
- DT 96" 2 Roller



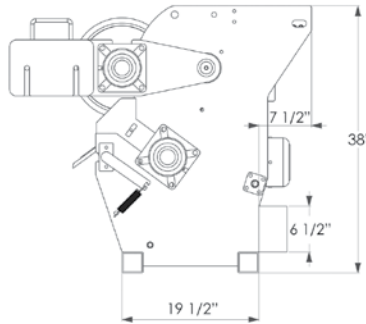
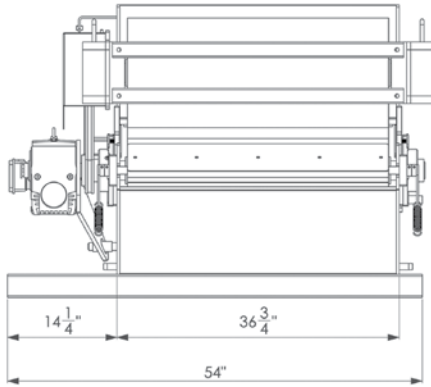
Manufactured in the USA!

The **DT Roller Press** is manufactured with heavy duty construction for longevity and strength against the most heavy duty applications. The press rolls are designed with advanced gum roller vulcanization and are each individually driven to prevent slippage and stalling from large objects. Our DT Roller Press also has reinforced backing on the screen roller for added strength as well as a remote grease bank.

DARITECH 34" 2 Roller Press (weighted)

Features include:

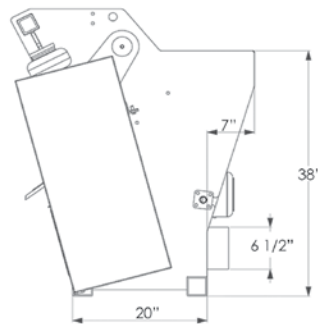
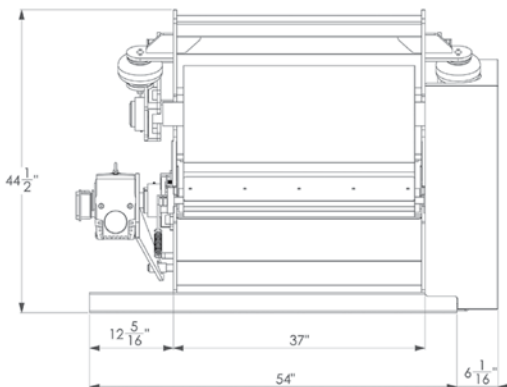
- Economical design
- Counter weight press design
- Designed for use with a DT360 Rotary Screen Separator or smaller dairies with a DT-X Separator
- Expected dry matter 16-20%



DARITECH 34" 2 Roller Press

Features include:

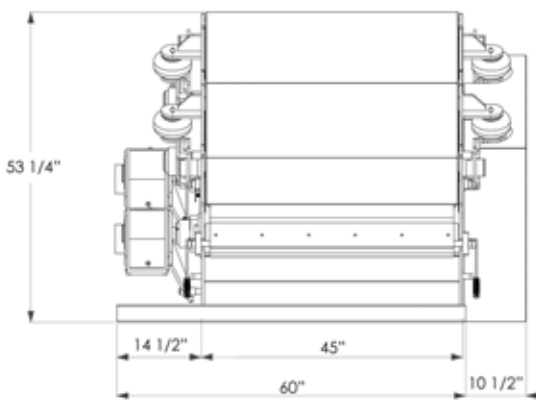
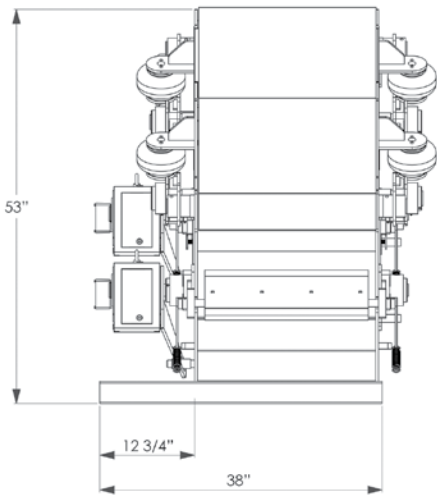
- Direct drop-in upgrade replacement for weighted 24" 2-roller
- Designed for use with DT360 Rotary Screen Separator or smaller dairies with a DT-X Separator
- Air bag press to create a dryer product
- Expected dry matter 22-26%
- Heavy duty oversized bearings and shafts



DARITECH 22" & 42" 4 Roller Press

Features include:

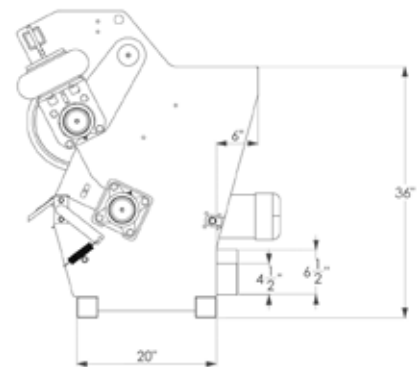
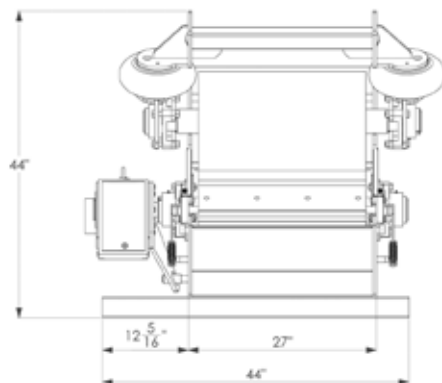
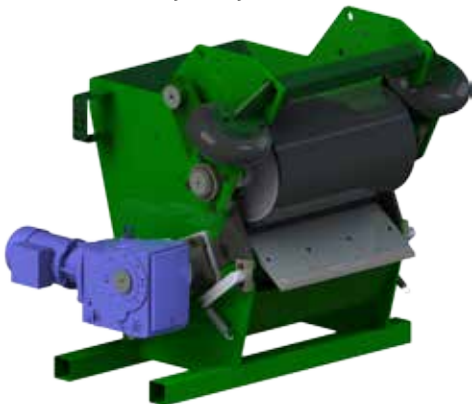
- Designed for use with DT360 or DT-X
- Individual air bag pressure to control dryness and feed speed between sets of rollers
- Expected dry matter 30-35%
- Product usable as green bedding
- Heavy duty oversized bearings and shafts



DARITECH 24" 2 Roller Press

Features include:

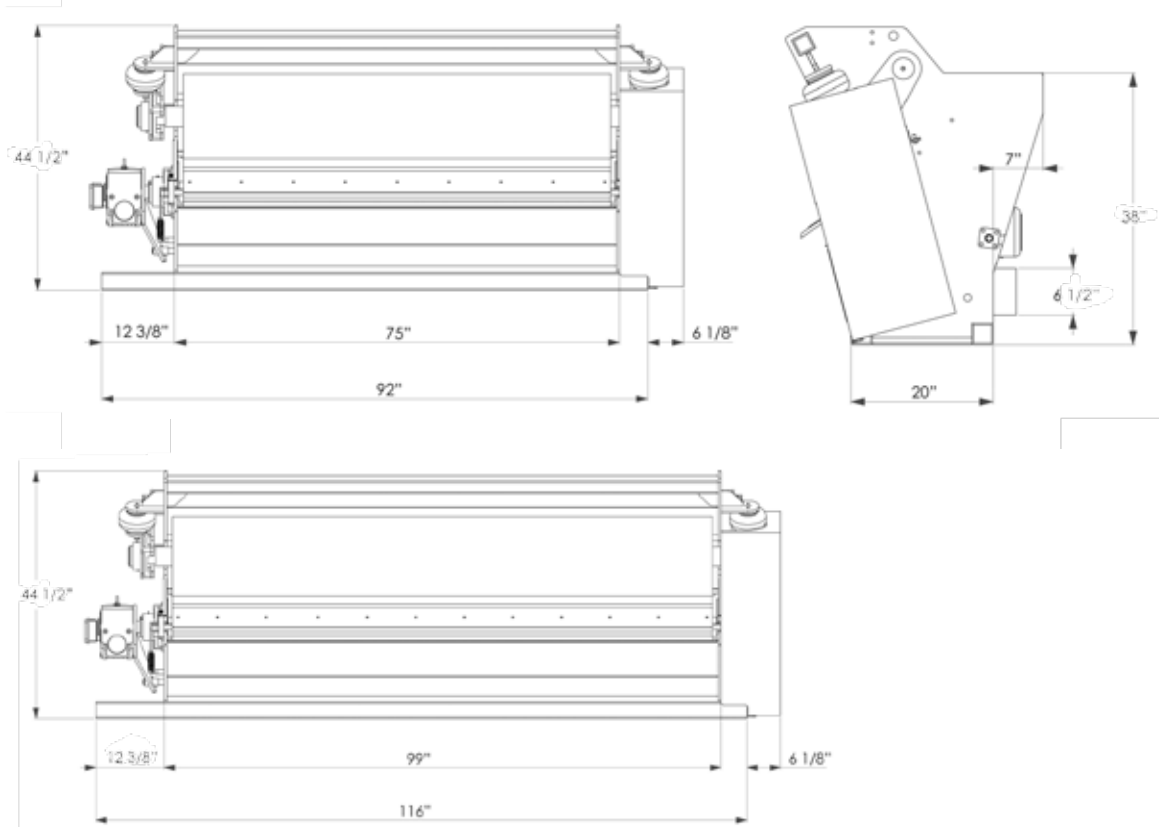
- Designed for use with a screw press separator to reduce screen wear on the separator and create dry matter suitable for green bedding or compost
- Expected dry matter 33-38%
- Air bag press to create a dryer product
- Heavy duty oversized bearings and shafts



DARITECH 72" & 96" 2 Roller Press

Features include:

- High production press
- Designed for use with two DT360's or DT-X
- Air bag to create a dryer product
- Expected dry matter 22-26%
- Heavy duty oversized bearings and shafts



DariTech, Inc., offers a variety of roller press options to fit the press needs on your dairy. Whether pressing just to make a nice stack of solids or for use as green bedding, we have just the right press for the application.

Give us a call for specifications on your application needs.