



GreenLine

GreenLine 250 Pumps

The GreenLine 250 Pump brings together a level of quality, durability and efficiency to the industry. DariTech has designed the GreenLine 250 pump line for a wide range of applications. Built with heavy duty components, our GreenLine pumps are built to last!



Manufactured in the USA!

From its inception in 1990 with one man in a service van, to the industry leader in innovative dairy solutions that DariTech is today, we have always strived for the best performance from our systems. Our equipment is developed through the ingenuity of our design team while incorporating the input of users to meet the demands in the field. The efficiency and effectiveness of our systems and equipment is unsurpassed.

Our GreenLine pumps follow in the DariTech tradition of bringing value to dairies throughout North America by providing long wearing, highly efficient solutions to the many challenges that manure handling presents. Our pump line offers a broad selection of innovative features for demanding dairy applications. With the ability to configure our pumps for a wide range of flow rates, and different manure consistencies, we can handle manure pumping requirements of any operation.

From impellers designed for low turbulence and high wear, to heavy duty shaft bearing assemblies, GreenLine pumps are built to last. With experience in numerous applications of GreenLine pumps, going back to 1995, we continue to bring innovative solutions and continued improvement to dairy operations. You can be sure we will always be looking to the future, keeping up with the growing demands of dairying worldwide.





GreenLine 250 Series Pump

The GreenLine Pump line offers a full range of pump sizes and horsepower to meet your requirements. We can accommodate your pump needs with anything from a half horsepower pump to move fifty gallons per minute in our 118 series, to two hundred horsepower to move five thousand gallons per minute in our 250 series. With GreenLine's robust casting and exacting tolerance specifications, we can ensure proper performance and reliability for years to come.

GreenLine Models

250 ST - Standard

Used for general purpose pumping applications up through thick manure, but does not have non-clog spacing like the slurry feed pump. Tight tolerance pump for high efficiency pumping with moderate chopping.

250 SF - Slurry Feed

Non-clog pump designed for transferring thick manure or for feeding a separator. Pump uses 1" spacer between impeller and wear pad. No chopping with this pump. Lower efficiency pump to create non-clog application.

250 HE - High Efficiency (6x5x14 only)

Pump designed specifically for use on diesel drive pumps. Delivers a higher pressure curve at lower RPM.

250 FF - Flush Floater

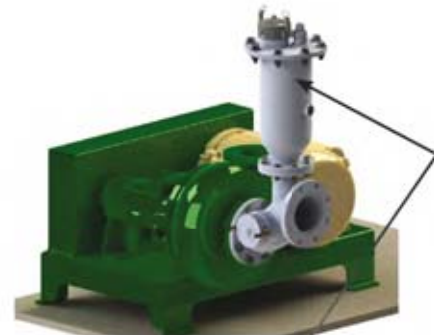
High volume, low RPM pump design. Used primarily for flush and flume operations. Extended shaft and housing allow pump to operate below frozen lagoon surface. Delivers slightly reduced performance than 250 standard pump curve. 75 hp maximum.

250 PF - Pressure Floater

High pressure, high RPM floater pump used for direct feed to field application equipment such as big guns or pivots. This pump delivers the same curves as 250 ST. 75 hp maximum.



Run dry seal systems available for non-flooded suction system.



GreenLine "Auto Prime" allows for continued operation when used with deep sumps or lagoons.





Custom manifolds and valving available from DariTech!



GreenLine 10X8X14 Flush pumps for 24,000 cow dairy with back-up pump.

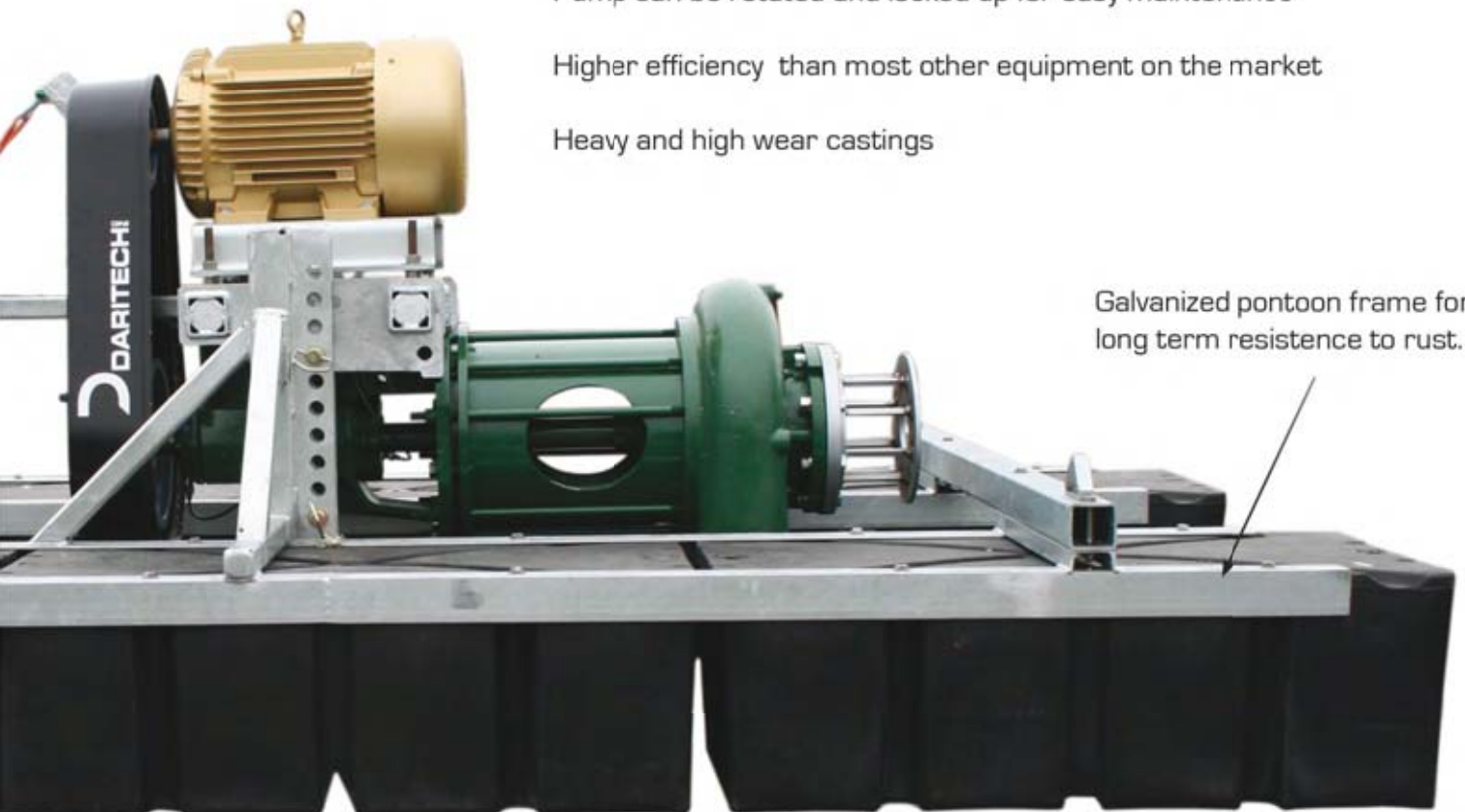
The **GreenLine 250 FF and 250 PF** are able to run high hours with minimum maintenance and service.

Belt drive for easy RPM adjustment to maximize motor efficiency

Pump can be rotated and locked up for easy maintenance

Higher efficiency than most other equipment on the market

Heavy and high wear castings



Galvanized pontoon frame for long term resistance to rust.



**GreenLine 250
Custom Fabrications**

Our GreenLine pumps follow in the DariTech tradition of bringing value to dairies throughout North America by providing long wearing, highly efficient solutions to the many challenges that manure handling presents. Our pump line offers a broad selection of innovative features for demanding dairy applications. With the ability to configure our pumps for a wide range of flow rates, and manure consistencies, we can handle manure pumping requirements of any operation.

From impellers designed for low turbulence and wear, to heavy duty shaft bearing assemblies, GreenLine pumps are built to last. With experience in numerous applications of GreenLine pumps, going back to 1995, we continue to bring innovative solutions and continued improvement to dairy operations. You can be sure we will always be looking to the future, keeping up with the growing demands of dairying worldwide.



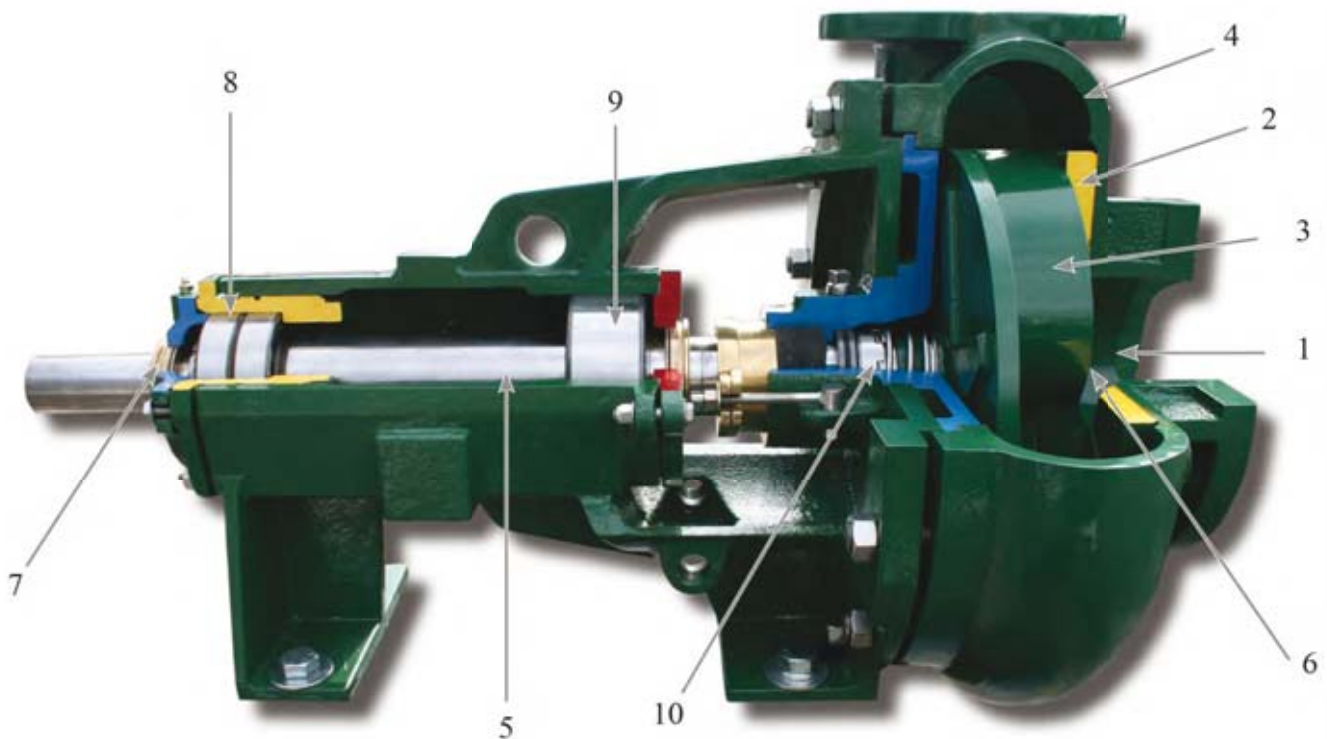
**GreenLine 250
Electric Pump Skids**



**GreenLine 250
Diesel Pump Drives**



**GreenLine 250
PTO Pump Drives**



The Premium 250 GreenLine Slurry Pump uses the latest design with many enhancements:

- 1 Full pipe diameter entrance for minimum turbulence and maximum efficiency.
- 2 Hardened machined replaceable wear pad with cutters.
- 3 The impeller is designed to reduce turbulence, eliminate recirculation, lower radial and thrust load, and provide a smooth flow of fluids.
- 4 The concentric housing is 35% thicker for extra strength and extended service life and reduces the radial load of the bearings
- 5 The larger diameter shaft gives heavy-duty performance with minimum shaft deflection.
- 6 An anti-loosening impeller lock bolt to eliminate pump damage in case of reversed polarity motor hook-up.
- 7 Brass labyrinth seals are used on both the inboard and outboard bearings to protect from contamination and for longer seal life.
- 8 Heavy-duty SKF outboard bearing assembly consists of a pair of angular contact bearings with high thrust load rating and zero end play.
- 9 The heavy-duty SKF inboard bearing is a double row ball-bearing with high radial load rating to compensate for the larger size impeller and heavy-duty applications.
- 10 The mechanical seal has a tungsten carbide rotating assembly plus a 316 stainless steel cage assembly with a silicone carbide stationary for greater seal life.

Every GreenLine pump or pump package is fully tested before shipment.